



Catalogo parti di ricambio
Spare parts catalogue
Ersatzteilkatalog
Catalogue pieces detachees
Catalogo de repuestos

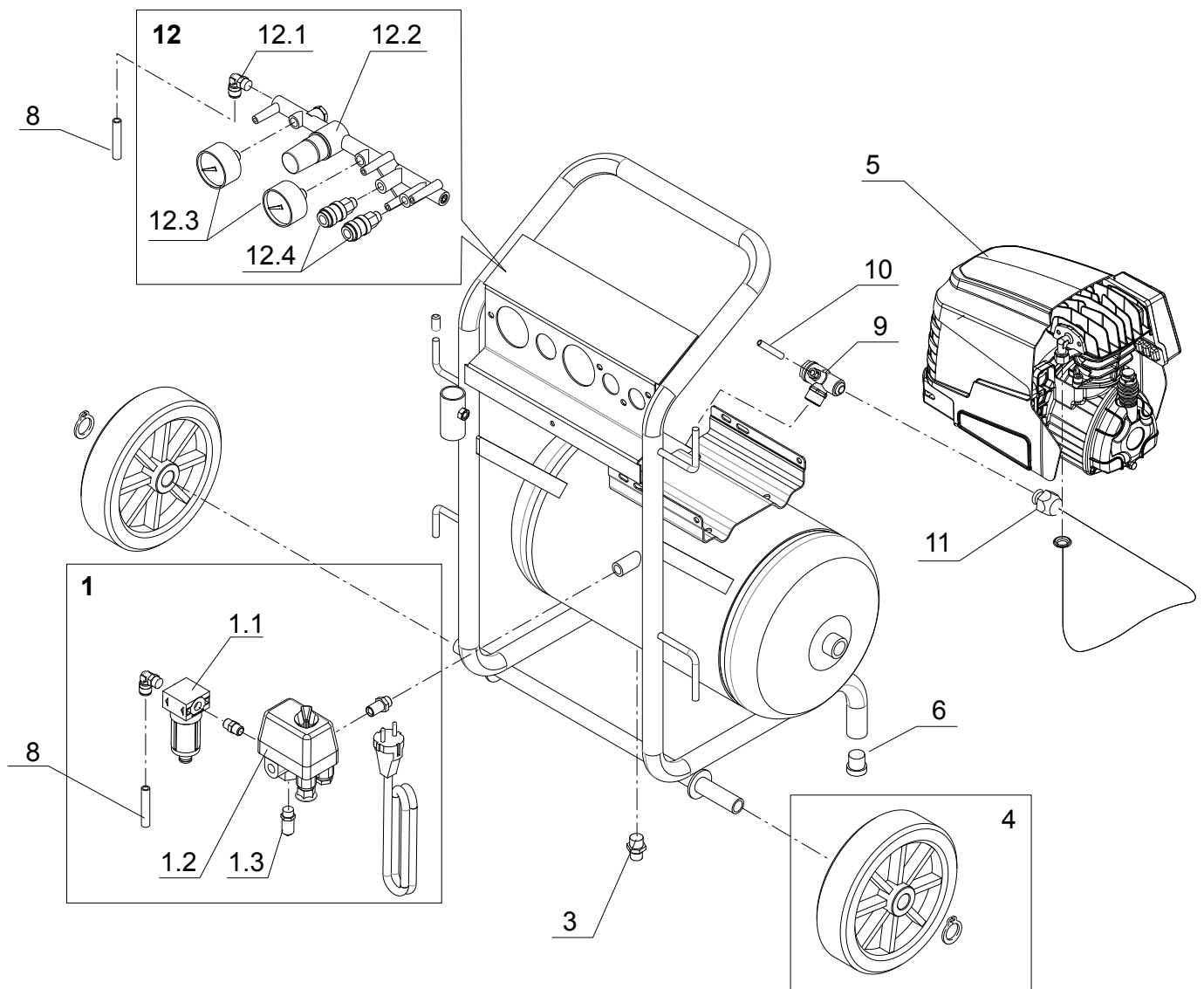
Model:..... **SUPERMAGNUM GM 245 [CONTIMAC]**.....

Code:..... **1121090402**.....

Valid from: **01/11/2018**.....

INDEX

Table	Model	pag.
1	SUPERMAGNUM GM245	4
2	GM245_00	6
3		
4		
5		
6		
7		
8		
9		
10		





Model: SUPERMAGNUM GM 245 [CONTIMAC]
 Code: 1121090402
 Valid from: 01/11/2018
 Tav.: SUPERMAGNUM GM245_00

N°	Code	Q.ty	Q.ty*	Description	N°	Code	Q.ty	Q.ty*	Description
1	1124050834	1		KIT PRESSOSTATO PRESS. SWITCH KIT					
1.1	1127100052	1		FILTRO FILTER					
1.2	1127250002	1	20	PRESSOSTATO PRESSURE SWITCH					
1.3	1127190201	1	20	VALVOLA DI SIC. RELIEF VALVE					
3	1127130016	1	20	RUBINETTO SPURGO DISCHARGE TAP					
4	1124080890	1		KIT RUOTE WHEELS MOUNTING KIT					
5	1129740102	1		GRUPPO POMPANTE PUMP UNIT					
6	1127360050	2		PIEDE IN GOMMA RUBBER FOOT					
8	1127230008	0,5		TUBO RILSAN RILSAN TUBE					
9	1127190019	1	20	VALVOLA DI RITEGNO CHECK VALVE					
10	1127230001	0,35		TUBO RILSAN RILSAN TUBE					
11	1127230403	1		TUBO ALIMENTAZIONE INFEEED HOSE					
12	1124140033	1		KIT CRUSCOTTO INSTRUMENTS PANEL KIT					
12.1	1127080097	1		RACCORDO FITTING					
12.2	1129700576	1		DISTRIBUTORE DISTRIBUTOR					
12.3	1127110030	2	20	MANOMETRO PRESSURE GAUGE					
12.4	1127130057	2		RUBINETTO UNIVERSALE TAP					

Q.ty = Quantità unitaria / Single unit quantity / Quantité unitaire / Cantidad unitaria / Einzeleinheitsmenge
 Q.ty* = Ricambi consigliati in percentuale / Suggested spare parts in percentage / Pièces de rechange suggérées en pourcentage / Piezas de repuesto sugeridas en porcentaje / Vorgeschlagene Ersatzteile in Prozent

